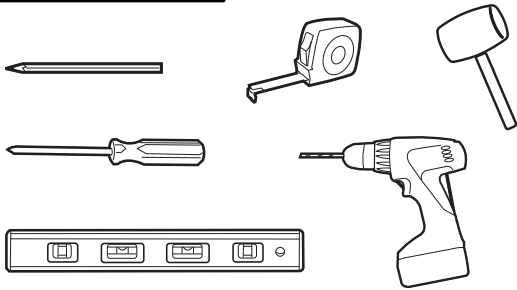
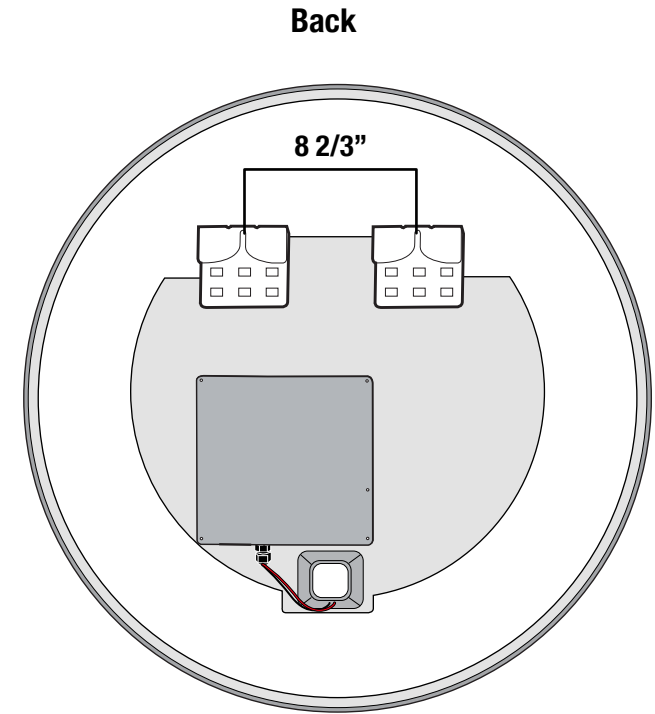
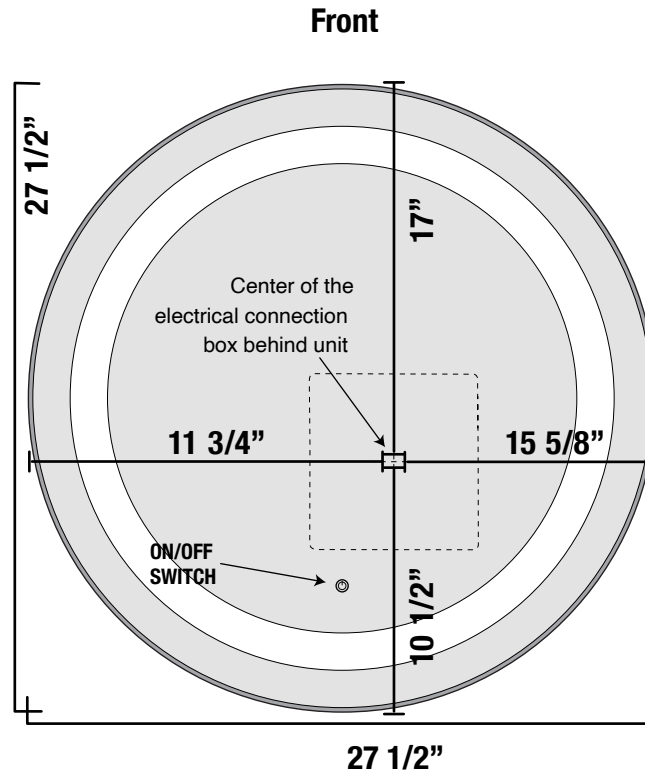
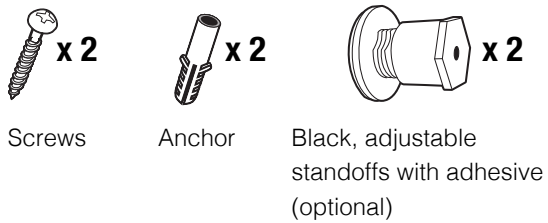


**Tools Required**



**Supplied Hardware**



Product improvements are continual.  
Measurements may vary.  
Please verify all dimensions prior to installation.

**Mounting Instructions**

**Step 1**

2x4 Stud  
(if possible)

7 1/2" (vertical mount)

**Step 2**

2x4 Stud  
(if possible)

**Step 3**

2x4 Stud  
(if possible)

If stud is not present, use drywall anchor.

**Step 4**

Mounting Screws

Electrical Gang Box

Electrical Connection Box

The electrical gang box should be installed according to the location of the unit's electrical connection box located on the back.

**Step 5**

Remove Cover

**Step 6**

Connect Wire

Clamp Wire

Electrical Box with installer-supplied, approved wire (at least 2 feet long\*).  
 \*Recommended

**Mounting Instructions**

