

SCV-DUAL

VALUE SNOW MELT CONTROL

FEATURES & BENEFITS

- Automatic snow and ice melting controller minimizes operating costs.
- Automatic voltage selection operates from 100VAC-240VAC.
- Adjustable hold-on time and temperature set point provides flexibility for a wide range of applications.
- Weather-resistant NEMA 3R enclosure.
- Hold-on timer continues heater operation after snow stops to ensure complete melting.
- Sno-Test™ automatic testing and manual heater cycle for system testing.
- Simple four-wire installation.
- C-UL-US Listed for Temperature Regulating Equipment.



Minimize
Operating Costs



Automatic and
manual-override
operator controls

Easy to Operate



SCV-DUAL

VALUE SNOW MELT CONTROL

About the Value Snow Melt Control

This configurable aerial snow-melting controller makes automatic snow melting cost-effective in even the smallest applications. Heaters operate at temperatures below the default set point (38°F or 3.3°C) only when the sensor detects precipitation at temperatures below 38°F. Plus, the adjustable hold-on period (3 hours default) continues heater operation after snow stops to ensure complete melting.

The SCV-DUAL controller includes an internal magnetic reed switch used for manual heater cycling, as well as configuring the temperature set point and the hold-on time. The controller operates from 100 to 240 VAC to work with a wide variety of applications. It also controls heater loads up to 16 amps.

PRODUCTS



SCV-DUAL
Value Snow
Melt Control



SMP
Snow Melting
Plaque



RLY-Series
Relay Panels
(Optional)

SCV-DUAL

VALUE SNOW MELT CONTROL

Specifications

SCV-DUAL Value Snow Melt Control

Area of use	Nonhazardous locations
Approvals	UL Listed 109R Type 873 Temperature Regulating Equipment
Protection	NEMA 3R
Cover attachment	Polycarbonate with machine screws
Entries	1 x 3/4" entry (bottom)
Material	Polycarbonate
Mounting	Pole mount
Dimensions	4.6" (W) x 6.1" (H) / 117mm (W) x 155mm (H)
Supply voltage	ETI PN 24619: 100VAC – 240VAC; 50/60 Hz
Load	3 amp maximum inductive 16 amp maximum resistive
Heater Hold-On timer	0, 1, 3 (default) or 5 hours; configured by magnetic reed switch
Set point temperature	Off (moisture only), 36°F, 38°F (default), 40°F; configured by magnetic reed switch
Status indicators	SUPPLY (green): Power on; will flash while in configuration mode HEAT (yellow): Heating cycle in progress

Wire and Cable Ratings

Power cable	Size for heater load (16 amps maximum)
Heater cable	Size for maximum heater load
Environmental	
Operating temperature	–40°F to 104°F (–40°C to 40°C)
Storage temperature	–67°F to 167°F (–55°C to 75°C)

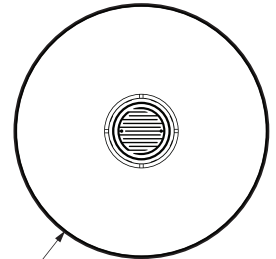
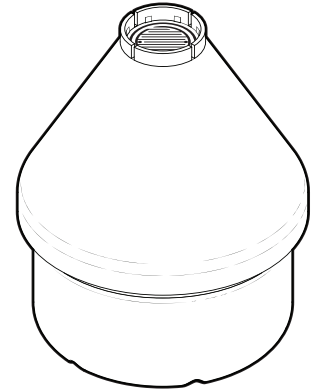
RLY-Series

Model	RLY-4PL
Enclosure	NEMA 1
Dimensions	10" x 8" x 4" (254mm x 203mm x 102mm)
Contains	2 relays for a total of 4 poles
Controls	4 circuits at 120 VAC or 277 VAC or 2 circuits at 208 VAC or 240 VAC
Model	RLY-8PL
Enclosure	NEMA 1
Dimensions	12" x 10" x 4" (305mm x 254mm x 102mm)
Contains	4 relays for a total of 8 poles
Controls	8 circuits at 120 VAC or 277 VAC or 4 circuits at 208 VAC or 240 VAC
Model	RLY-12PL
Enclosure	NEMA 1
Dimensions	16" x 12" x 4" (406mm x 305mm x 102mm)
Contains	6 relays for a total of 12 poles
Controls	12 circuits at 120 VAC or 277 VAC or 6 circuits at 208 VAC or 240 VAC

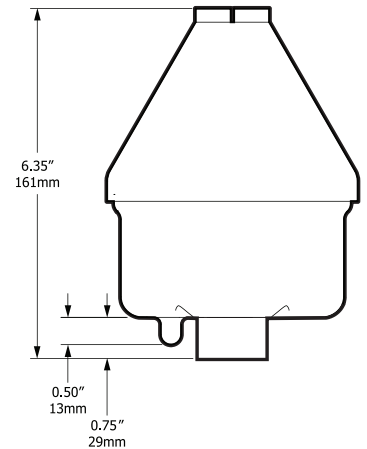
NOTE: Relays do NOT contain circuit breaker devices.

Optional for loads under 16 AMPS.

Required for larger AMP loads



Ø 4.60"
Ø 117mm



ORDERING

Accessories

SMP	Snow Melting Plaque
RLY-Series	Relay Panels (Optional)

LIMITED WARRANTY

WarmlyYours' two year limited warranty covering defects in workmanship and materials applies. Contact Warmly Yours at (800) 875-5285 or go to www.WarmlyYours.com for complete information

For more information, operating and technical manuals, please refer to www.warmlyyours.com.

**Product specifications are subject to change.*